

## Surface mounting cabinets Nedbox

8 to 48 modules



6 012 44



6 012 09



6 012 15

IP 40 - IK 07 with door  
 IP 30 - IK 05 without door  
 Class II - White RAL 9003  
 Allows to achieve assemblies conform to IEC 61439-3  
 Self extinguishing 650° C  
 Polysterene material  
 Can be equipped with reversible plastic or metal door  
 Chassis can be clipped removed and tipped back to facilitate cabling  
 Supplied without terminal blocks (see below)

Pack	Cat.Nos	Distribution boxes
1	6 012 40	<b>Cover fixing with quick motion screws</b> 1 row of 8 modules 1 row of 12 + 1 modules
1	6 012 41	
1	6 012 42	<b>Fast locking by flip latch</b> Distance between rails : 125 mm 2 rows of 12 + 2 modules 3 rows of 12 + 3 modules 4 rows of 12 + 4 modules
1	6 012 43	
1	6 012 44	

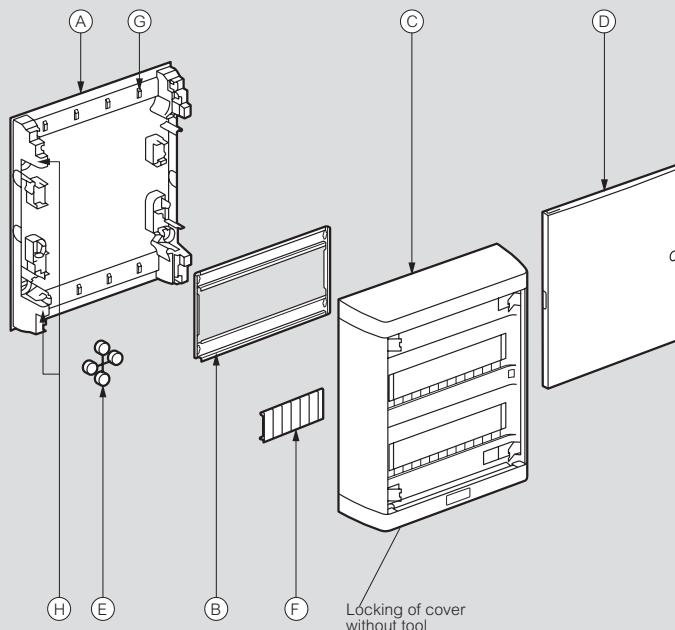
Doors		Plastic doors - polycarbonate	
	White	Transparent blue tinted	
1	6 012 05	6 012 15	For Cat.No 6 012 40
1	6 012 06	6 012 16	For Cat.No 6 012 41
1	6 012 07	6 012 17	For Cat.No 6 012 42
1	6 012 08	6 012 18	For Cat.No 6 012 43
1	6 012 09	6 012 19	For Cat.No 6 012 44
	White		<b>Metal doors</b>
1	6 012 26		For Cat.No 6 012 41
1	6 012 27		For Cat.No 6 012 42
1	6 012 28		For Cat.No 6 012 43
1	6 012 29		For Cat.No 6 012 44

Accessories		
1	0 014 91	Key lock for Cat.Nos 6 012 42/43/44 and 6 014 41/42/43/44/51/52/53/54
1	0 013 89	Sealing kit
		<b>Blanking plates</b> Separable into modules or 1/2 modules 5 modules - white 13 modules - white
20	0 016 60	<b>Terminal blocks for 1 row of 8 modules</b> Neutral and earth - 2 x 8 holes
10	0 016 62	
10	6 012 90	<b>Terminal blocks for 1, 2, 3 and 4 rows of 12 modules</b> Neutral and earth - 2 x 12 holes Earth - 30 holes Neutral - 30 holes
10	6 012 91	
10	6 012 92	
10	6 012 93	

## Surface mounting cabinets Nedbox

8 to 48 modules

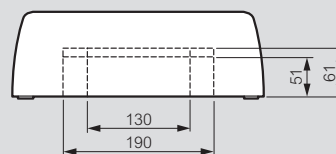
### Distribution cabinets 2, 3 or 4 rows of 12 modules



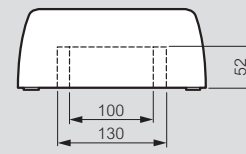
- A : insulating base
- B : chassis/rail
- C : cover
- D : plastic or metal door
- E : sealing caps
- F : blanking plates
- G : supports for cables ties
- H : fixation for terminal blocks

### Pre-cut part for trunking systems

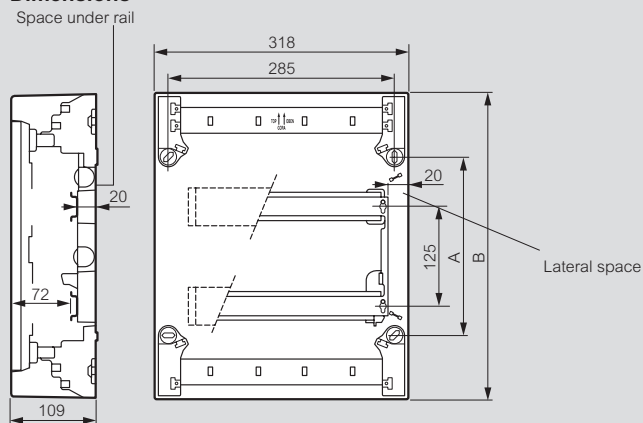
For 2, 3 and 4 rows cabinets



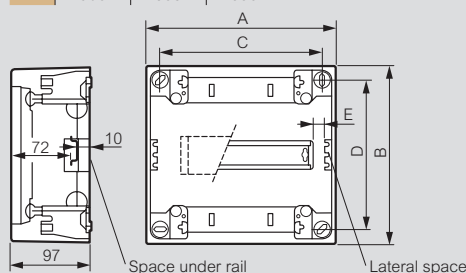
For 1 row cabinets



### Dimensions



	24 mod.	36 mod.	48 mod.
A	225	350	475
B	380	505	630



	8 mod.	12 mod.
A	225	317
B	210	240
C	195	287
D	180	150
E	14	9